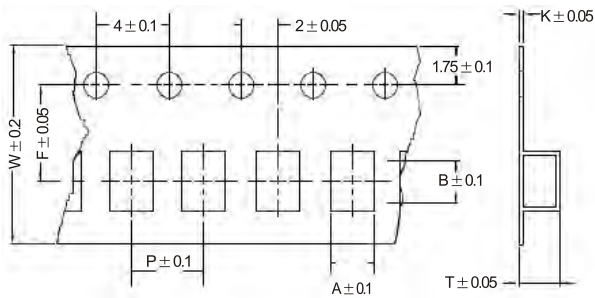


SMD EMI BEADS

Series CB

TAPE DIMENSIONS



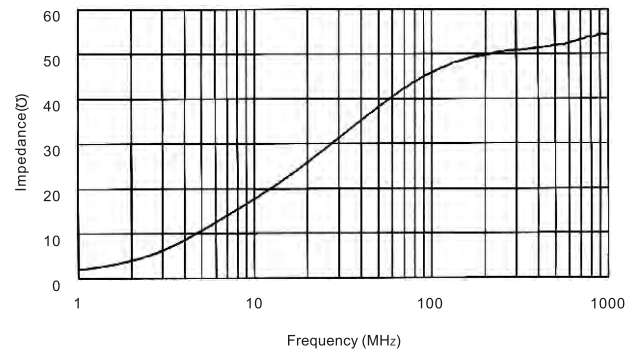
in mm

| Type | A | B | T | W | P | F | K |
|--------------|------|------|------|----|---|-----|------|
| CB42X26IX40R | 3.64 | 5.30 | 3.10 | 12 | 8 | 5.5 | 0.30 |
| CB78X29IX72R | 5.24 | 8.77 | 3.69 | 16 | 8 | 7.5 | 0.30 |
| CB86X26IX72R | 3.28 | 9.35 | 3.06 | 16 | 8 | 7.5 | 0.30 |
| CB56X28KM60R | 6.30 | 9.30 | 3.10 | 16 | 8 | 7.5 | 0.27 |

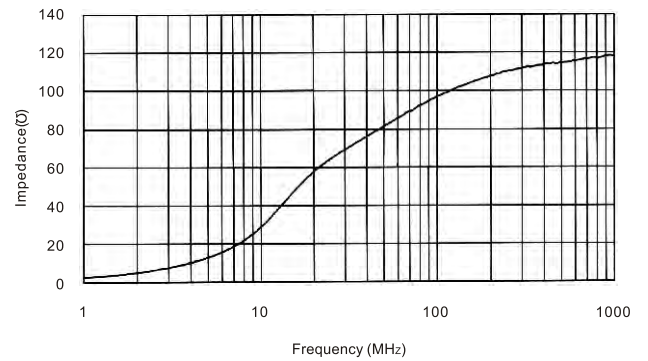
TYPICAL ELECTRICAL CHARACTERISTICS

Test Instruments: HP4291A Impedance / Material Analyzer

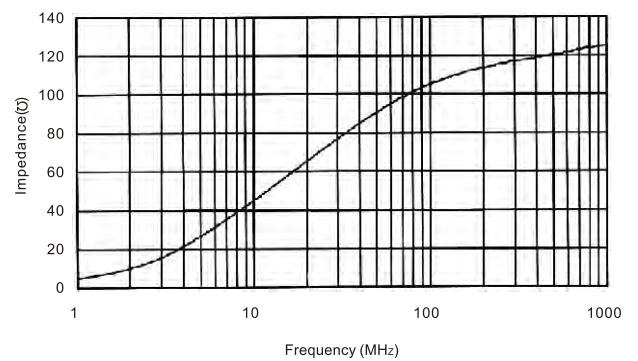
CB42X26IX40R



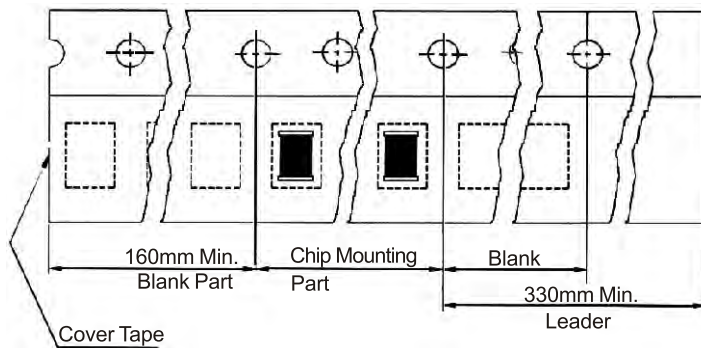
CB78X29IX72R



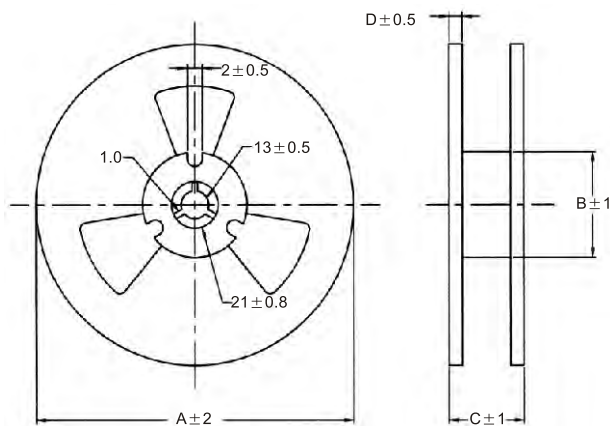
CB86X26IX72R



TAPE MATERIALS



REEL DIMENSIONS



in mm

| Type | A | B | C | D |
|--------------|-----|-----|----|-----|
| CB42X26IX40R | 178 | 60 | 16 | 1.5 |
| CB78X29IX72R | 178 | 60 | 20 | 1.5 |
| CB86X26IX72R | 178 | 60 | 20 | 1.5 |
| CB56X28KM60R | 330 | 100 | 21 | 2.0 |